



Alarm lamp - VIS-LED AK LED lamp with horn

Short facts:

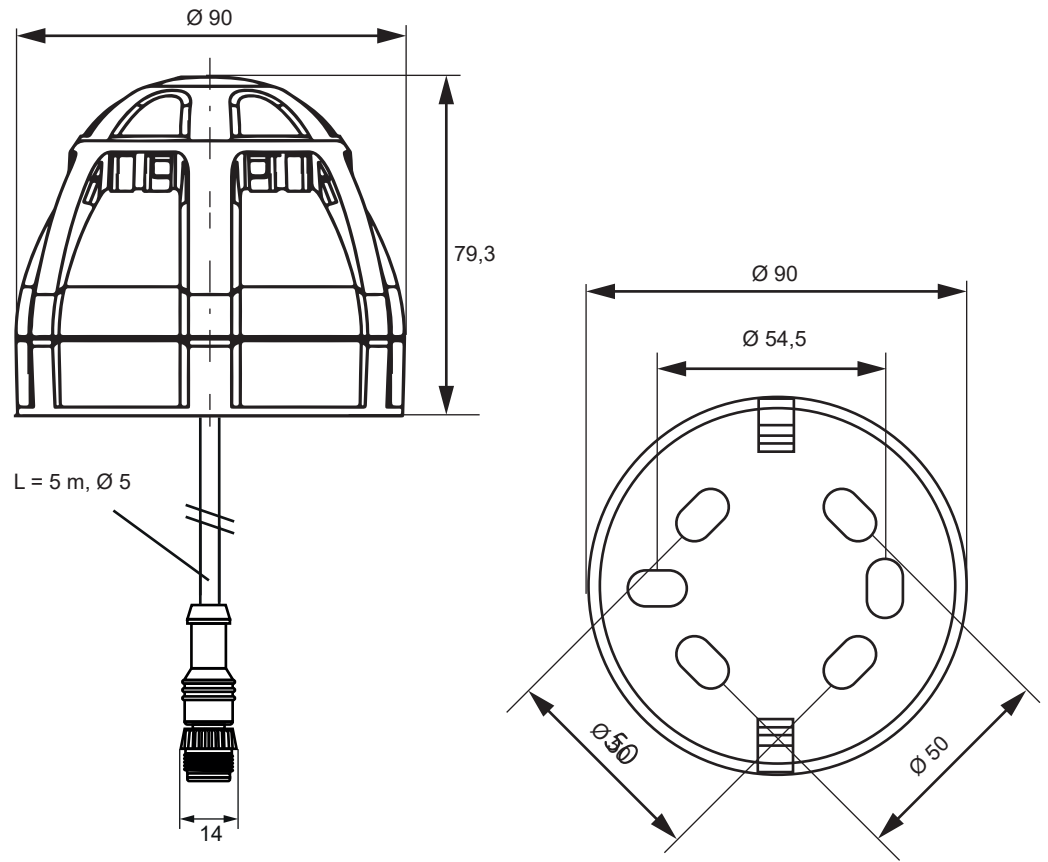
- Long-lasting LED illumination technology
- Loud horn
- Bright and visible
- Wall-mount
- Ideal for aquaculture and industrial applications

Never miss an alarm with the visual and acoustic VIS-LED AK.

The SENECT alarm lamp VIS-LED AK can be connected to the actuator ports of SENECT control units and therefore be used to give the user an visual and acoustic alarm signal.

The bright LEDs show an optimal visibility also at daylight conditions in combination with a long lifetime. The acoustic signal loudness can be varied and the tone can be selected.

Technical information	
Dimensions	Ø 90 x 79.3 mm
Material	ABS
Temperature range	-25°C bis +70°C
Power consumption	~1.2 W
Cable length	5 m
Compatibility	with all SENECT control units
Ingress protection	IP54



Dimensions in mm (not to scale)

View from bottom

VIS-LED-AK 001-002 EN Version: 1.0 Status: released, subject to alterations

Art.-No.	Item	Scope of delivery
3210	Alarm lamp VIS-LED AK	Alarm lamp with 5 m cable, manual